

# Thermo Scientific Ramsey Mercury-Free Tilt Sensors

Now available in a non-mercury version, these sensors provide you with the stability, sensitivity and performance you have come to expect from the traditional mercury-based Thermo Scientific™ Ramsey™ Tilt Switches.

## Features and Benefits

- Rugged, abrasion-resistant tilt probes
- Simple installation
- All probes include mounting hardware
- Solid-state control unit with printed circuit boards
- Control unit is available in the following options
  - Field mount NEMA 4
  - Field mount NEMA 4X
  - DIN mount NEMA 1
- User adjustable time delay to prevent false alarms
- LED status lights — no bulbs to change
- cCSAus and ATEX approved versions suitable for hazardous area applications



The Thermo Scientific™ Ramsey™ Mercury-Free Tilt Sensor uses advanced technology inside the tilt probe to replicate the same performance found in traditional mercury-based Thermo Scientific Ramsey Tilt Switches. A combination of opto-electronics and solid state circuitry inside the probe prevents jitter and provides stability not found in the typical non-mercury options.

The precision manufacturing of the tilt probe provides sensing of a 15 degree inclination in a full 360 degrees of direction. Multiple models of the tilt probe are available for applications with a wide variety of materials and environmental conditions (see inside for a description of the available options). All probes have fully encapsulated electronics and come with the necessary mounting hardware.

The field-mount control unit includes the traditional green “Normal” and red “Alarm” indicators with LED illuminators (a DIN mount control is also available). The DPDT relay contacts give you two normally open and two normally closed connections for your external alarms and/or controls. An internal jumper allows you to select whether “Normal” is a horizontal or a tilted position. An adjustable time delay inside the control prevents a momentary tilting of the probe from causing a false or premature contact transfer. Interruption of line power will cause a contact transfer.



**Thermo**  
SCIENTIFIC

### Ramsey Mercury-Free Tilt Sensor Controls

The sensor consists of a control unit and a tilt probe.

Due to the nature of the stabilizing electronics, tilt probes cannot be used without a controller.



**Field Mount Control (IP65/NEMA 4)**  
 20-35-NM-F  
 21-35-NM-F-CSA  
 21-35-NM-F-ATEX



**Field Mount Control (SST IP65/NEMA 4X)**  
 20-35-NM-F-4X  
 21-35-NM-F-CSA-4X



**DIN Mount Control (IP20/NEMA 1)**  
 20-35-NM-DIN

### Ramsey Mercury-Free Tilt Sensor Probes



**Standard 1 in. Nickel Plated  
 Cast Ductile Iron Probe**  
 20-59-NM  
 21-59-NM



**1 in. Light Weight  
 Plastic Probe**  
 20-55-NM-P

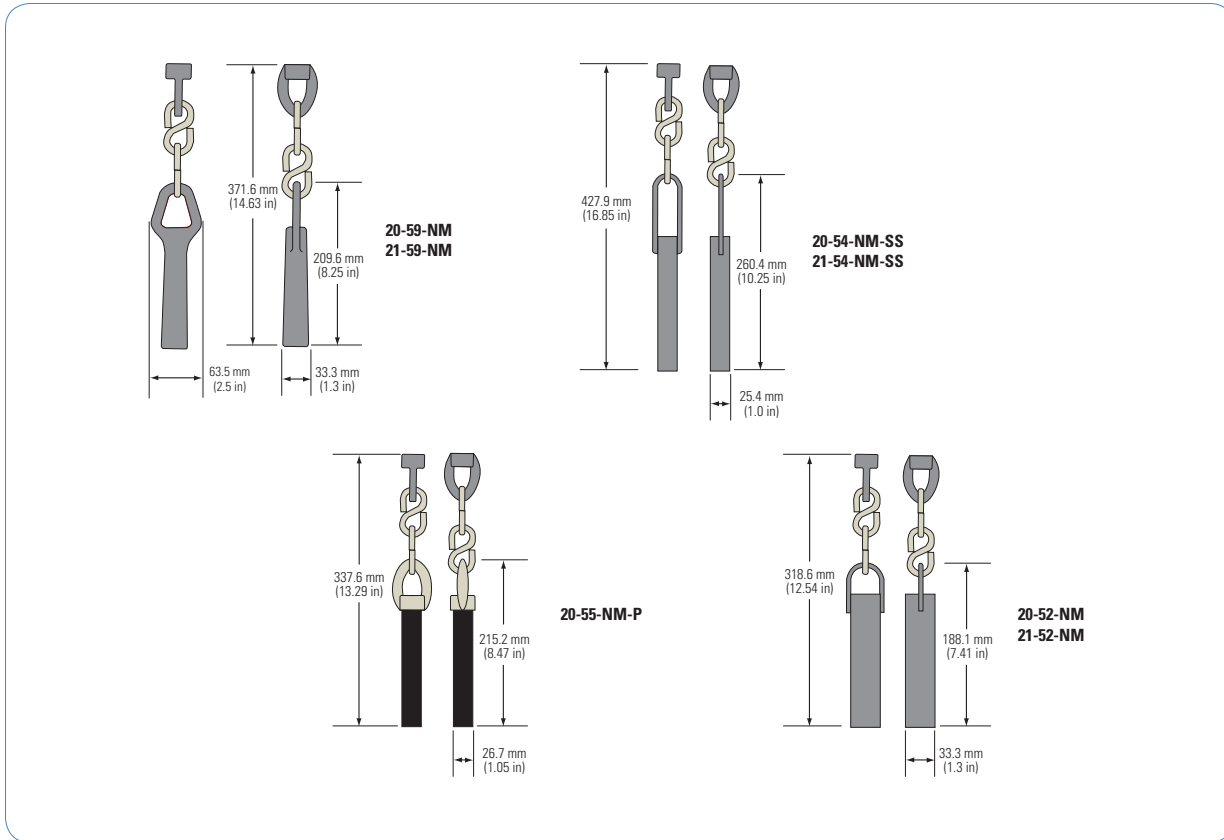


**1 in. Stainless Steel Probe**  
 20-54-NM-SS  
 21-54-NM-SS

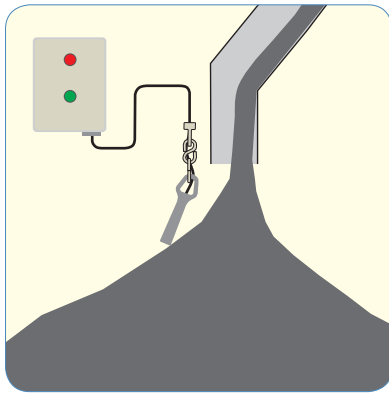


**2 in. Heavy Weight Probe**  
 20-52-NM  
 21-52-NM

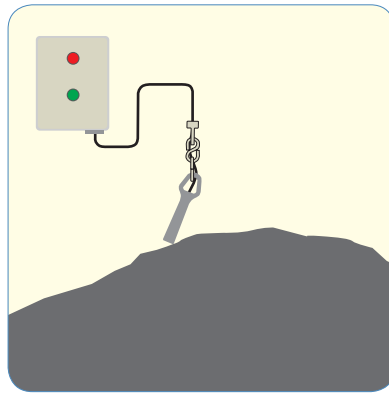




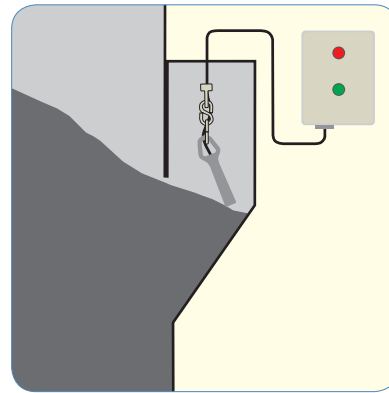
Typical Industry Applications



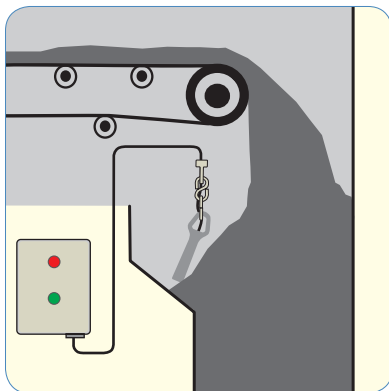
High Level



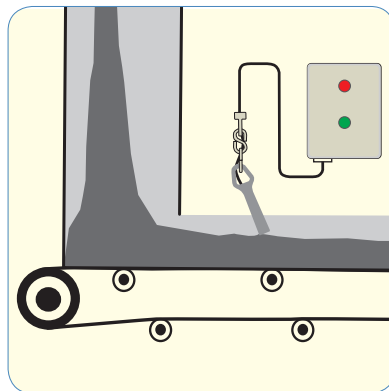
High Pile



Low Level



Plugged Chute



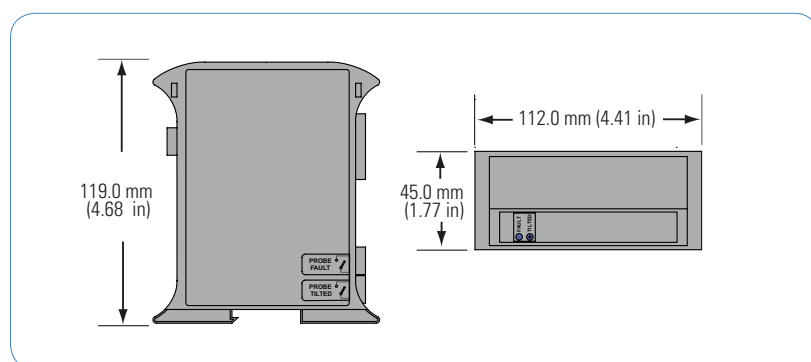
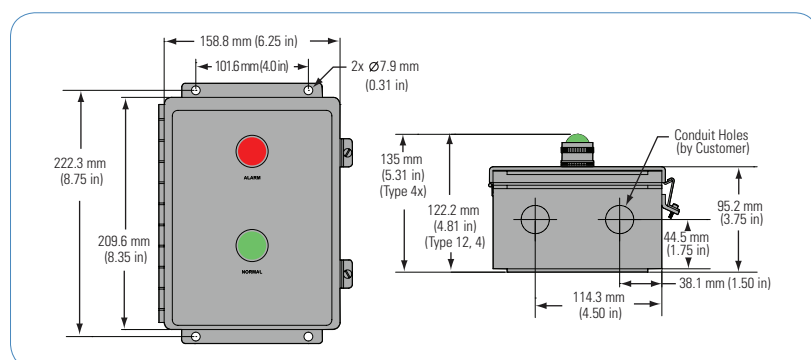
Material Flow

**Thermo Scientific Ramsey Mercury-Free Tilt Sensors**
**Tilt Sensor Probe General Specifications**

Temperature Rating	All models	-40°C (-40°F) to +50°C (+122°F)
Protection	All models	IP67 (NEMA 4x)
Mounting Hardware	All models	Hanger and two S-hooks included)
Certifications	All models	cCSAus, CE
Hazardous Area Certifications	21-59-N M / 21-54-NM / 21-52-NM	ATEX Zone 20/21 and cCSAus Class I, Div 1 & 2, Groups A, B, C & D and Class II, Div 1 & 2, Group E, F & G, CE

**Tilt Sensor Probe General Specifications**

Input Power	All models	115/230 VAC, 50/60 HZ)
Alarm Contact Rating	20-35-NM-DIN All other models	(1) NO—2 Amp @ 115/230 VAC or 3 Amp @ 24 VDC (2) SPDT—6 Amp @ 115/230 VAC or 6 Amp @ 30 VDC non-inductive
Fault Contact Rating	All models	(1) NO—rated for 2 Amp @ 115/230 VAC @ 24 VDC
Time Delay	All models	1, 2, 4, or 6 seconds selectable by jumpers
Temperature Rating	All models	-40°C (-40°F) to +50°C (+122°F)
Protection	20-35-NM-DIN All other models	IP20 (NEMA 1) IP65 (NEMA 4 or NEMA 4X)
Certifications	All 20-35 models	cCSAus, CE
Hazardous Area Certifications	21-35-NM-F-CSA / 21-35-NM-F-CSA-4X 21-35-NM-F-ATEX	cCSAus Class I, Div 2, Groups A, B, C & D and Class II, Div 1 & 2 Group E, F & G, CE ATEX Zone 22, CE

**DIN Mount Control Dimensions**

**Field Mount Control Dimensions**


[thermoscientific.com/bulkweighing](http://thermoscientific.com/bulkweighing)

© 2014 Thermo Fisher Scientific Inc. All rights reserved. Results may vary under different operating conditions. Specifications, terms and pricing are subject to change. Not all products are available in all countries. Please consult your local sales representative for details.

**Australia**  
+61 (0) 8 8208 8200  
+61 (0) 8 8234 3772 fax

**Brazil**  
+55-11-2367-2192  
+55-11-2367-2192 fax

**Chile**  
+56 (0) 2 378 5080  
+56 (0) 2 370 1082 fax

**China**  
+86 (0) 80 0810 5118  
+86 (0) 21 6445 1101 fax

**Germany**  
+49 (0) 208-824930  
+49 (0) 208-852310 fax

**India**  
+91 (20) 6626 7000  
+91 (20) 6626 7001 fax

**Italy**  
+39 02-950590-55  
+39 02-953200-15 fax

**Mexico**  
+52 (55) 1253 9410  
+52 (55) 1253 9424 fax

**South Africa**  
+27 (0) 11-822-4120  
+27 (0) 11-822-3982 fax

**Spain**  
+34 (0) 91-484-5965  
+34 (0) 91-484-3597 fax

**United Kingdom**  
+44 (14) 4241 3700

**United States & Canada**  
+1 (800) 445-3503  
+1 (763) 783-2525 fax  
+1 (763) 783-2500 direct

**Thermo**  
SCIENTIFIC

A Thermo Fisher Scientific Brand