



**Thermo Scientific Global VersaWeigh
and Global Versa GP
Checkweighers**



- Versatile
- High Accuracy and Stability
- Low Cost of Ownership

Reliable general purpose checkweighing systems

Improve efficiency and profitability with checkweighers designed for better accuracy and faster speeds and suitable for any application in food, beverage or pharmaceuticals.

Thermo Scientific Global Versa Checkweighers

versatile checkweighers to meet your needs

The Thermo Scientific™ Global VersaWeigh™ and Global Versa GP checkweighers are designed to improve accuracy and reliability, decreasing maintenance, product giveaway and total cost of ownership. Our global manufacturing and service teams enable a high level of solutions and service support wherever you do business.

Over 10 engineering and functionality improvements over previous technology deliver systems with peak performance and draw from more than 50 years of experience in checkweigher design and use.



Performance

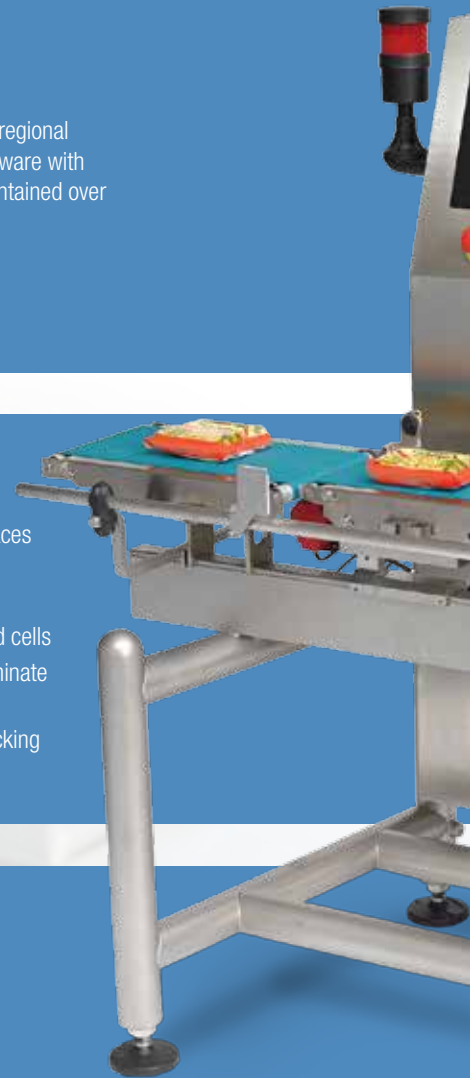
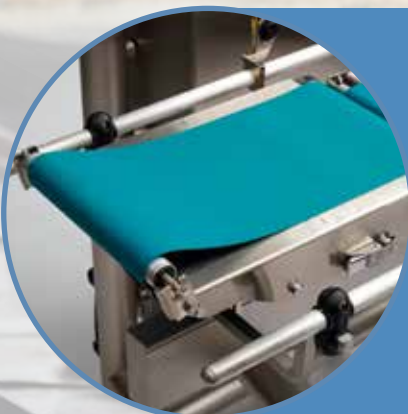
The Global VersaWeigh and Global Versa GP meet or exceed a variety of regional and international standards and are OIML MID approved. Proprietary software with advanced automatic-zero algorithms ensure accuracy standards are maintained over time, regardless of environment.

Sanitary Design and Ease of Maintenance

- Frames designed to minimize flat surfaces and slots, reducing food buildup.
- Stainless steel conveyor beds
- Optional stainless-steel rollers and load cells
- Rapid-release conveyors and belts eliminate need for tools to remove or replace
- Tool-less thumb screw adjusts belt tracking
- Captive conveyor rollers easy to adjust

Durability

High-torque sealed brushless motors allow trouble-free operation and long mean time between failures (MTBF).





The Global VersaWeigh and Global Versa GP are ideal for weighing a wide range of packaged food, pharmaceutical and personal care products in wet or dry environments – from light to heavy-weight packages, all within the same Versa platform.



Versatility and Ease of Use

- Easy-to-read color touch screens
- Configurable security access levels
- Intuitive menu operation
- Choice of 16 standard languages

Our proprietary 'Weigh Engine' uses the powerful signal processing of Thermo Scientific™ AutoCalc™ for ease of product set up. Modular electronic design allows easy repair if needed.



Custom Solutions

Building on a foundation of standard features, these checkweighers can be modified to create cost-effective solutions for the most demanding applications. A wide variety of product handling and reject hardware and software options are available, including dual- and multi-lane.

All Global VersaWeigh and Global Versa GP checkweighers are offered with integrated or stand-alone infeed Thermo Scientific™ APEX metal detectors.



Service and Support

A wide range of service and support contracts cover factory acceptance testing, start up, and commissioning and validation.

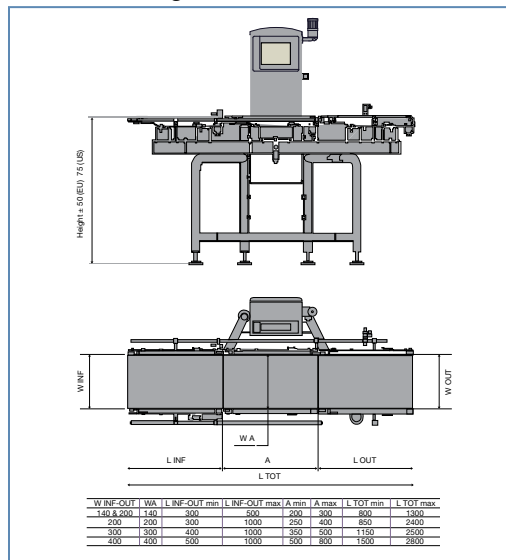


Thermo Scientific Versa Checkweighers

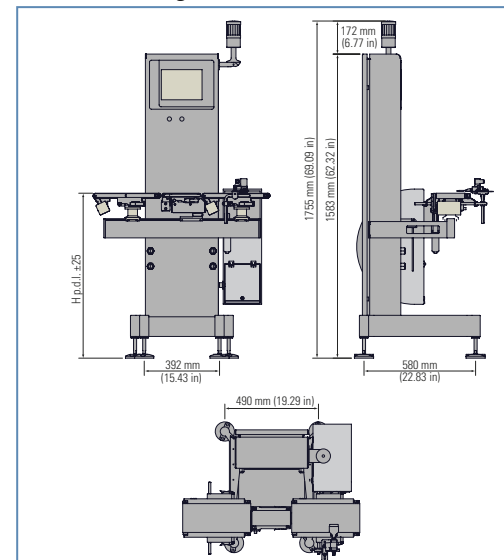
Specifications

Weighing Range	10g to 10kg (.0625oz to 22.0lb)
Line Speed	Models up to 3.0 kg (6.61 lb) capacity: Up to 120m/min (394 ft/min) Models over 3.0 kg (6.61 lb) capacity: Up to 90 m/min (295 ft/min) <i>Pack rates dependent upon package length and weigh table length</i>
Product Rate	Up to 400 packages/min (depending on application)
Product Type	Any, including cartons, bags, cups, bottles, jars, pouches, boxes, etc.
Product Dimensions	Length: 25 mm to 600 mm. Maximum width 400 mm. Other product sizes upon request.
Accuracy	Random error: to OIML R51 International Standards. European MID Standards and Handbook – 44 U.S. standards or better. <i>Actual accuracy may differ depending upon package weight, speed, stability and roller type.</i>
Service Specifications	Electrical – 110/120 or 220/240 VAC, 50 or 60 HZ, single phase 15 A Max Air – Dry, 550-690 kPa, 5.5-6.9 bar (80-100 psi) » 1,000 l/min (35 CFM)* *Depending on application and configuration.
Overall Dimensions	Length: 750 mm to 2000 mm for integral conveyors (2800 for free-standing conveyors) (excl. additional free-standing conveyors). Width: approx. 600 to 1500 mm depending on configuration
Line Height	USA: 650 mm~1100 mm (+100-80 mm) EU: 800~1100 mm GP model: 630 mm~1150 mm ±50 mm
Approvals or Standards	CE Low-Voltage Directive 2006/95/CE CE Machinery Safety Directive 2006/42/CE CE Electro-Magnetic Compatibility Directive 2004/108/CE and CSAUS Complies with EC Directive 2002/95/EC MID/OIML 35g-1200g e≥0.5g (to 48 kg) <72 m/min.
Ingress Protection	IP65 IP66 optional
Material	Frame: 304 grade Stainless Steel (bead blast finish). Cabinet and conveyor beds (4b finish). Rollers: hard anodized aluminum or SST (option); load cell aluminum or SST (option) Belts: Urethane FDA Blue UU20 or FDA Blue E2/1~E3/1 type depending on conveyor dimensions and application
Pollution Degree	Pollution degree II
Weight Classification Zones	3 or 5 zone selectable. Special versions for random package weighing (warehouse).
Other Applications (option)	Multi Lane, Tare Gross, Multi product, marking & verification (track and trace), Class Y, Grader, OEM, specials

Dimensional Diagram Thermo Scientific™ Global VersaWeigh™



Dimensional Diagram of Global Versa GP



thermoscientific.com/versa

© 2015 Thermo Fisher Scientific Inc. All rights reserved. All trademarks are the property of Thermo Fisher Scientific Inc. and its subsidiaries. Specifications, terms and pricing are subject to change. Not all products are available in all countries. Please consult your local sales representative for details.

US and Canada 800 227 8891
Asia/Australia 800 227 8891
Mexico +52 55 5639 2184
Argentina +54 11 4334 3827
Chile +56 22 2378 5080

India +91 20 6626 7000
Italy +39 0 5217 8861
France +33 (0) 16 092 4800
Germany +49 (0) 20 882 4930
Spain +34 (0) 91 484 5965

UK +44 (0) 17 8882 0300
Netherlands +31 (0) 76 579 5555
South Africa +27 11 776 0000
China 800 810 5118

Consult factory for dimensions

Thermo
SCIENTIFIC

A Thermo Fisher Scientific Brand